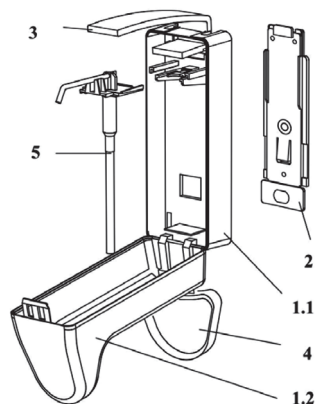


## 5 Schematic diagram of the dispenser (Fig. 6)



1. Plastic housing
  - 1.1. Body of the housing
  - 1.2. Housing cover with inspection window
2. Wall mounting plate
3. Arm lever
4. Drip tray
5. Disposable pump

## 6 Accessories and spare parts

Art. No.	Accessories   Spare parts
MEG 289.1071	Plastic disposable pump Jet for MEG 289.1020
MEG 289.1072	Plastic disposable pump Jet for MEG 289.1025
SD2005-11	Plastic disposable pump spray for MEG 289.1020
SD2010-11	Plastic disposable pump spray for MEG 289.1025
SD2005-12	Plastic disposable pump foam for MEG 289.1020
SD2010-12	Plastic disposable pump foam for MEG 289.1025
SD2005-13	One-way Ophardt DHP pump for MEG 289.1020
SD2010-13	One-way Ophardt DHP pump for MEG 289.1025
SD2005-20-d	Grey drip tray for MEG 289.1020 / MEG 289.1025
SD2005-20-w	White drip tray for MEG 289.1020 / MEG 289.1025
SD2005-20-b	Blue drip tray for MEG 289.1020 / MEG 289.1025
SD2005-20-g	Green drip tray for MEG 289.1020 / MEG 289.1025
SD2005-20-p	Pink drip tray for MEG 289.1020 / MEG 289.1025
SD2005-30	Housing cover for MEG 289.1020
SD2010-30	Housing cover for MEG 289.1025
SD2005-41	Evaporation protection cap for MEG 289.1020 / MEG 289.1025
SD2005-55	Hinges for MEG 289.1020 / MEG 289.1025
SD2005-60	Adapter for Ophardt plastic pumps
SD2005-70	Wall mounting plate for MEG 289.1020
SD2010-70	Wall mounting plate for MEG 289.1025
SD2005-75	Fixing material and metal strip
SD2005-78	Tesa adhesive mounting set
SD2005-90-d	Arm lever grey (short 182mm)
SD2005-90-w	Arm lever white (short 182mm)
SD2005-90-b	Arm lever blue (short 182mm)
SD2005-90-g	Arm lever green (short 182mm)
SD2005-90-p	Arm lever pink (short 182mm)
SD2010-90-d	Arm lever grey (long 198mm)
SD2010-90-w	Arm lever white (long 198mm)
SD2010-90-b	Arm lever blue (long 198mm)
SD2010-90-g	Arm lever green (long 198mm)
SD2010-90-p	Arm lever pink (long 198mm)

## Instruction Manual

Dosing dispenser for disinfectant, liquid soaps and lotions with

- Arm lever (short, long)
- Plastic disposable piston stroke pump (jet, spray, foam)
- Colored drip tray

Stand-alone or wall-mounted compatible with all Euro bottles

MEG 289.1020 for 500 ml-bottles

MEG 289.1025 for 1.000 ml-bottles



### Distribution:

**megro GmbH & Co. KG**

Am Schornacker 30, 46485 Wesel / Germany  
Tel. +49(0)281 9899-0 · Fax +49(0)281 9899-55 · info@megro.de · www.megro.de



**Euraneg GmbH**

Engelsee 25, 93354 Siegenburg / Germany  
Tel. +49(0)8704-8681 · kontakt@euraneg.com · www.euraneg.com

### Before installation, note the following:

Unpack the box, remove the plastic packaging of the dispenser and make sure that the following parts are included (Fig. 6):

- 1 x Dispenser with mounted plastic disposable pump (Fig. 5)
- 1 x Arm lever (Fig. 2)
- 1 x Wall mounting plate (Fig. 3) not necessary for stand alone use
- 1 x Colored drip tray (clip-on)
- 1 x Bag with one set of three screws and dowels and **one metal strip**
- 1 x Instruction manual

## 1 Installation / Operation

### 1 a Assembling the dispenser

- For reason of space s, the dispenser is supplied with the drip tray and arm lever removed (Fig. 1).
- Insert the arm lever on the back of the dispenser and push it in until you hear it lock in place (Fig. 2); **important: then insert the metal strip** (serves to secure the arm lever and as the upper attachment point of the dispenser on the wall mounting plate).
- The dispenser can be used as a stand-alone unit as well as wall-mounted.

### 1 b Mounting the dispenser (Fig. 3)

For wall mounting, a drilling machine and a 6mm drill as well as a (cordless) screwdriver is required. The wall mounting plate can serve as a drilling template. When exchanging the dispenser, the existing wall mounting plate can be used under certain circumstances.

- Select suitable mounting location and height. Recommended height: The top edge of the dispenser should be approx. 130 cm above the floor. Leave enough space under the dispenser so that the cover of the dispenser housing (possibly with drip tray attached) can be opened completely for easy bottle exchange.
- Fasten wall mounting plate with dowels and screws. Optionally, the Tesa fastening solution article no. SD2005-78 can be used (additional charge).
- Slide the dispenser over the wall mounting plate from above until the locking tongue audibly engages.

## 2 Operation

- Open the dispenser by pressing the pushbutton at the top under the arm lever (Fig. 2) and fold the lid forward
- Slide the full bottle over the dispenser pump from below and insert it into the housing (Fig. 4); close the housing cover and attach the drip tray.
- When using the pump for the first time, press the arm lever down several times until liquid emerges at the pump nozzle; when using highly viscosity gels, soaps or lotions, the lever must be pressed down up to 10 times vigorously before liquid emerges! If this measure is not successful, use thin liquid media (water or disinfectant) first to fill the tube and then place in the bottle with the viscous material.



Fig.1



Fig.2



Fig.3



Fig.4



Fig.5

## 3 Bottle or pump exchange and dosage

- Open the dispenser (see under 2), pull the empty bottle forward and remove it, remove the pump. Loosen the locking device of the pump on the wall side of the body. Dispose of the pump.
- Insert new pump and proceed as described under 2
- On delivery the dispenser pump is set to the maximum dosing quantity of 1.8 ml per stroke.
- When using dense liquid, please only pump new pumps with the maximum setting (dosing quantity 1.8 ml)!
- By moving the dosing fork to the right or left, the dispensing quantity can be reduced to 1.2 ml or 0.8 ml per stroke (Fig. 5)

## 4 Operation with adapter for Ophardt DHP pumps

- Open dispenser (see under 2), remove bottle and existing pump (see under 3)
- Slide the adapter into the guide rail from the front like a pump until the lugs of the spring clips about the guide rail on both sides.
- Slightly compress the spring on both sides so that the nose can pass the guide rail at the side
- The adapter can now easily be pushed further into the guide rails up to the rear wall until it snaps into place on the mounting lug of the rear wall like the pump.
- Insert Ophardt DHP pump and bottle, close the dispenser

## 5 Cleaning the dispenser | Hygiene recommendations

- The dispenser is basically maintenance-free, but the advantages of dosing dispensers are only guaranteed if the dispensers are cleaned and disinfected regularly. Inadequate dispenser hygiene can lead to germ colonisation of the dispenser system. Disinfection or soap residues in the pump or at the nozzle can also cause problems. Therefore, the dispenser should be regularly cleaned and possibly disinfected according to the recommendations for infection prevention and hygiene.
- For this purpose, clean the housing only with mild detergent, if desired, treat with surface disinfectant.
- The housing can be cleaned in a suitable dishwasher
- The **Robert Koch** Institute expressly recommends the use of disposable bottles or hygiene containers for washing and care products. For hand disinfectants, the German Drug Law applies: A refilling of empty bottles may only be carried out by a pharmacy under aseptic conditions.
- For hygienic reasons, the dispenser pump is designed as a disposable pump which should be replaced at regular intervals with bottle changes, at the latest every 3-4 months. The pumps must not be reprocessed, but must be replaced. The pumps are available as jet, spray or foam version (see 6.)